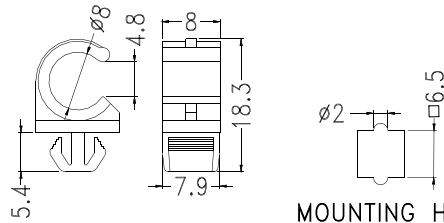


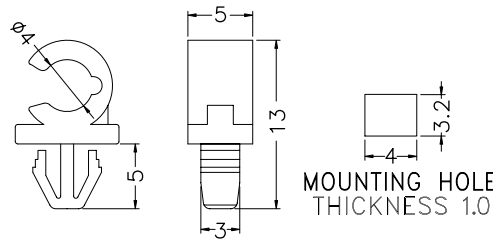
- ◆ MATERIAL: NYLON 66(UL)
- ◆ FLAME CLASS :94V-2
- ◆ COLOR:NATURAL
- ◆ UNIT:mm

PART NO	A	B	C	D	E	F	G	PACKAGE
DC-1	38.9	25.1	5.8	43.7	47.2	14.2	1.5	100
DC-1.5	55.2	37.0	7.9	56.6	62.7	17.8	1.2	



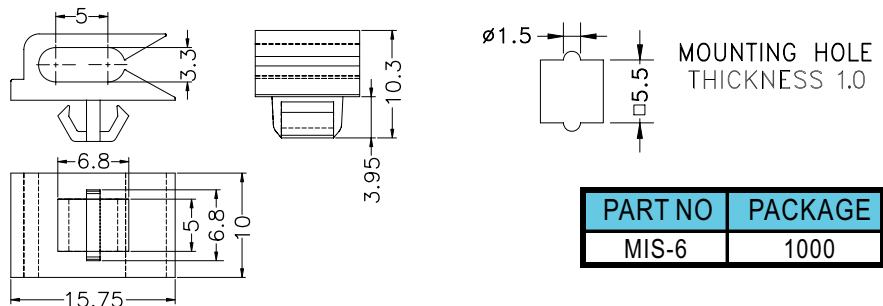
MOUNTING HOLE
THICKNESS 0.8~1.6

PART NO	PACKAGE
CH-9	1000



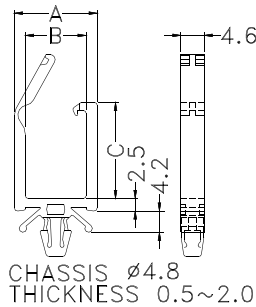
MOUNTING HOLE
THICKNESS 1.0

PART NO	PACKAGE
CHQ-4	1000



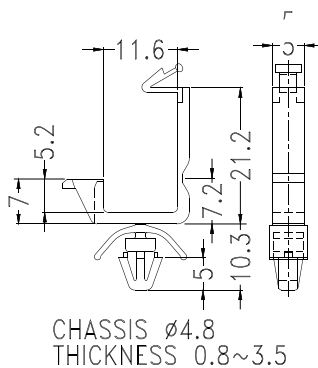
MOUNTING HOLE
THICKNESS 1.0

PART NO	PACKAGE
MIS-6	1000



CHASSIS ϕ 4.8
THICKNESS 0.5~2.0

PART NO	A	B	C	PACKAGE
CHF-1	16.4	12.0	19.0	500
CHF-2	14.4	10.4	14.0	

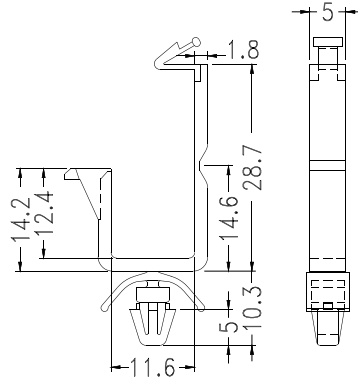


CHASSIS ϕ 4.8
THICKNESS 0.8~3.5

PART NO	PACKAGE
CHK-6	1000

WIRE Holder / Mount

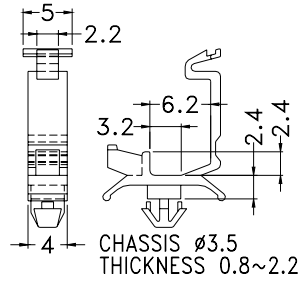
Hankook Fastener



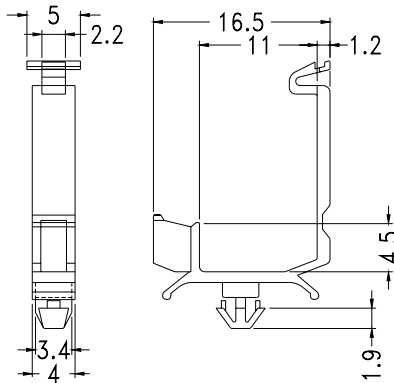
CHASSIS $\phi 4.8$
THICKNESS 0.8~3.5

- ◆ MATERIAL: NYLON 66(UL)
- ◆ FLAME CLASS :94V-2
- ◆ COLOR: NATURAL
- ◆ UNIT: mm

PART NO	PACKAGE
CHK-12	1000

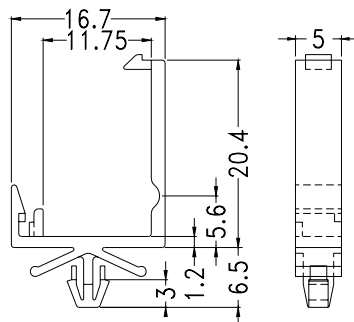


PART NO	PACKAGE
CHI-3	1000



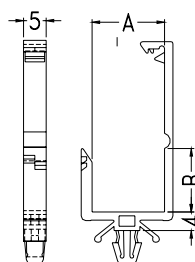
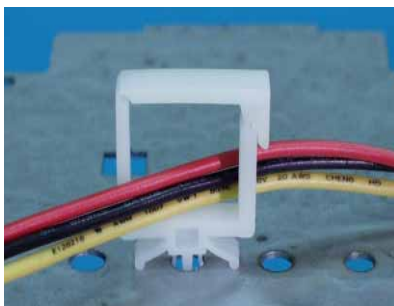
CHASSIS $\phi 3.5$
THICKNESS 0.5~1.8

PART NO	PACKAGE
CHI-6	1000



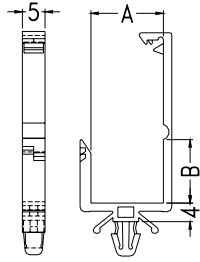
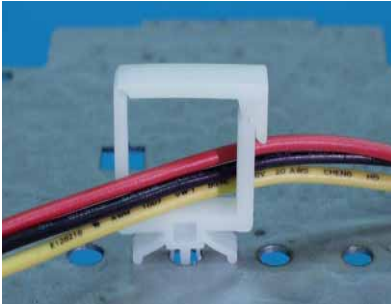
CHASSIS $\phi 3.5$
THICKNESS 0.8~2.0

PART NO	PACKAGE
CHJ-3	1000



CHASSIS $\phi 4.8 \sim \phi 5.0$
THICKNESS 1.2~2.4

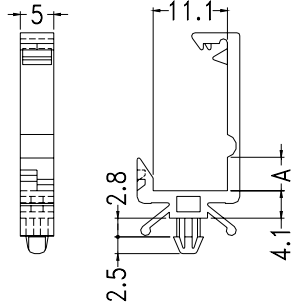
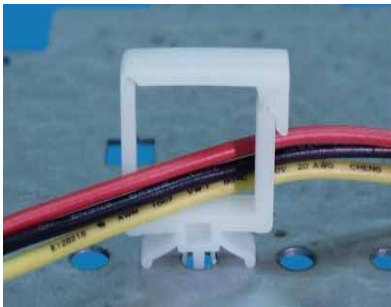
PART NO	A	B	PACKAGE
CHC-1	16.0	14.0	500
CHC-2		10.2	
CHC-3	11.1	5.0	



CHASSIS $\phi 4.8 \sim \phi 5.0$
THICKNESS 1.2~2.4

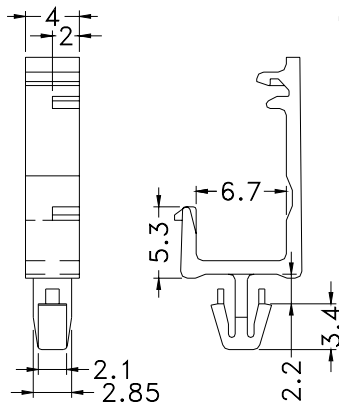
- ◆ MATERIAL: NYLON 66(UL)
- ◆ FLAME CLASS :94V-2
- ◆ COLOR: NATURAL
- ◆ UNIT: mm

PART NO	A	B	PACKAGE
CHC-1	16.0	14.0	500
CHC-2	11.1	10.2	
CHC-3		5.0	



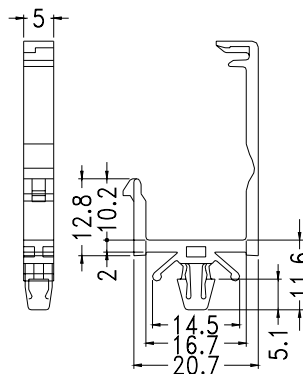
CHASSIS $\phi 3.5$
THICKNESS 0.8~2.5

PART NO	A	PACKAGE
CHH-1	4.9	500
CHH-2	10.1	



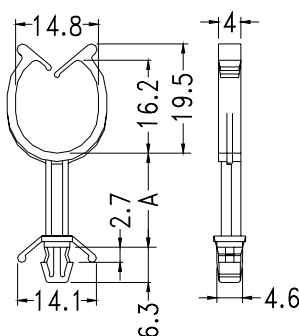
CHASSIS $\phi 3$
THICKNESS 1.2~1.7

PART NO	PACKAGE
CHL-3	1000



CHASSIS $\phi 4.8$
THICKNESS 0.5~2.0

PART NO	PACKAGE
CHM-10	1000



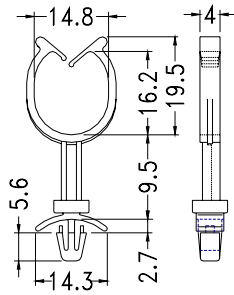
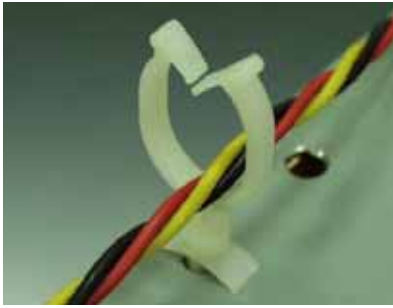
CHASSIS $\phi 4.8 \sim \phi 5.0$
BOARD THICKNESS 0.5~2.3

PART NO	A	PACKAGE
THE-12	12.7	500
THE-17	16.8	
THE-25	25.0	
THE-37	36.8	

WIRE Holder / Mount

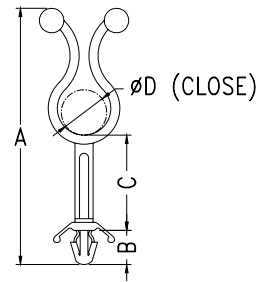
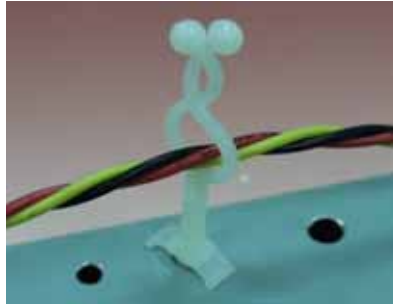
Hankook Fastener

- ◆ MATERIAL: NYLON 66(UL)
- ◆ FLAME CLASS :94V-2
- ◆ COLOR:NATURAL
- ◆ UNIT:mm



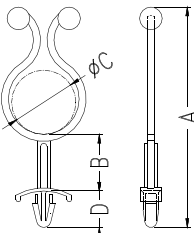
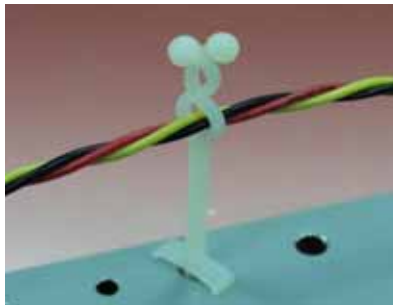
CHASSIS ϕ 4.8~5.0
BOARD THICKNESS 0.5~2.3

PART NO	PACKAGE
THE-9	500



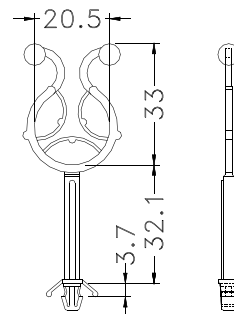
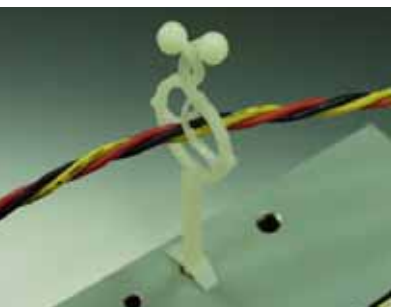
CHASSIS ϕ E
THICKNESS 0.8~2.2

PART NO	A	B	C	D	E	CLOSED	PACKAGE
THC-1	56.5		21.0	11.8		10.4	500
THC-2	59.8	7.5	34.0	5.6	4.8	5.0	
THC-3	37.7		4.5	12.0		10.4	1000
THC-1S	26.7	5.5	3.0	8.8	4.0	7.2	
THC-4	78.1	7.9	43.5	11.5	4.8	10.1	250



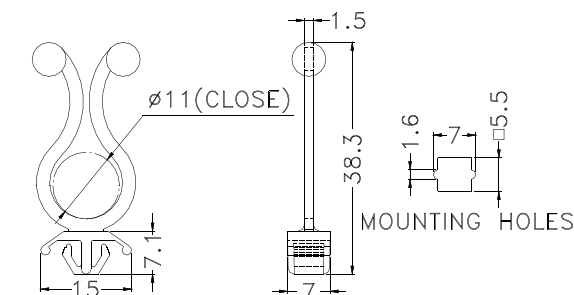
CHASSIS ϕ 4.8~5.0
THICKNESS 1.0~3.2

PART NO	A	B	C	D	CLOSE C	PACKAGE
THA-1	33.8	3.1				1000
THA-2	51.0	20.0	7.1		6.1	500
THA-3	66.0	35.3				1000
THA-4	39.6	2.8				500
THA-5	56.8	20.0	10.8	10.6	9.8	1000
THA-6	71.5	35.2				500
THA-7	42.0	3.0			13.8	
THA-8	59.3	20.4	15.0			
THA-9	74.7	35.8				
THA-10	63.5	16.2	20.0		18.4	
THA-11	56.8	3.0	24.3	9.8	22.3	
THA-12	53.1	15.3	11.0	10.8	9.7	
THA-14	55.3	5.0	20.3	10.6	18.7	
THA-15	43.8	10.5	8.0		6.8	
THA-16	34.7	5.6	8.8	10.0	7.0	

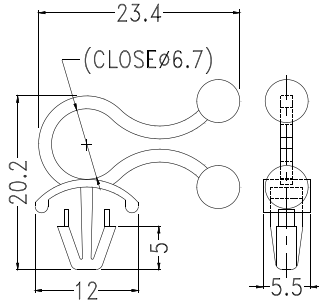


CHASSIS ϕ 4.8~5.0
THICKNESS 0.5~2.3

PART NO	PACKAGE
THF-1	500



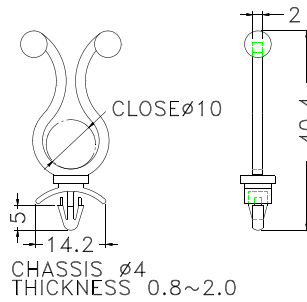
PART NO	PACKAGE
THG-12	500



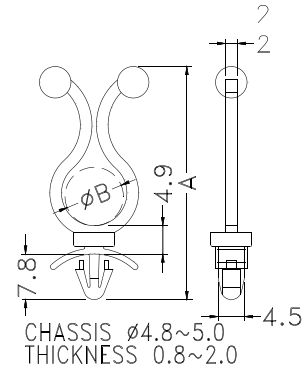
CHASSIS $\phi 4.0$
THICKNESS 1.6~4.0

- ◆ MATERIAL: NYLON 66(UL)
- ◆ FLAME CLASS :94V-2
- ◆ COLOR: NATURAL
- ◆ UNIT: mm

PART NO	PACKAGE
THH-8	500

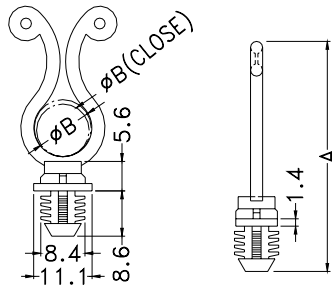


CHASSIS $\phi 4$
THICKNESS 0.8~2.0



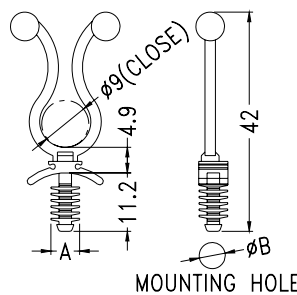
PART NO	PACKAGE
THI-4	500

PART NO	A	B	CLOSE B	PACKAGE
THD-1	40.2	10.8	9.8	500
THD-2	49.4	18.7	17.1	

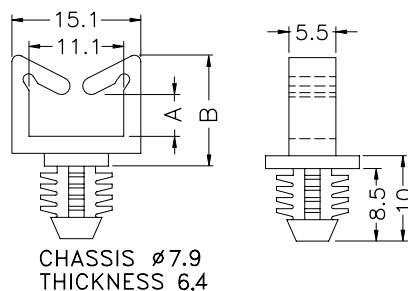


$\phi 7.9$
MOUNTING HOLE
PANEL THICKNESS: 6.4MIN.

PART NO	A	B	$\phi B(CLOSE)$	PACKAGE
WTL-11	43.7	11.0	10.0	500
WTL-19	52.6	19.0	18.0	



PART NO	A	B	PACKAGE
WKL-10	5.5	5.0	500
WKL-10A	5.0	4.5	



PART NO	A	B	PACKAGE
WSBH-7	4.9	13	1000
WSBH-29	27.2	35	